



## Vise **POWER**

pag. 9.1. 4

Clamping Vise POWER



## Vari **CLAMP**

pag. 9.1. 5

Clamping vise Vari CLAMP



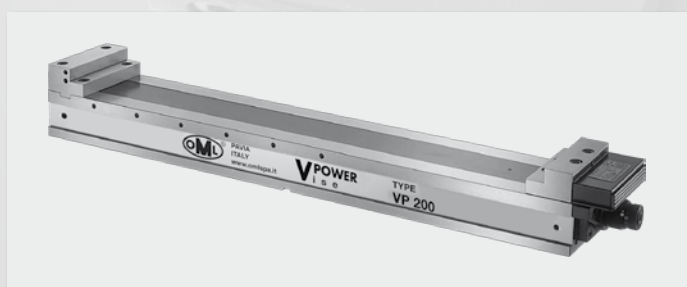
## Accessories Vise **POWER** - Vari **CLAMP**

pag. 9.1. 6



## Spare parts Vise **POWER** - Vari **CLAMP**

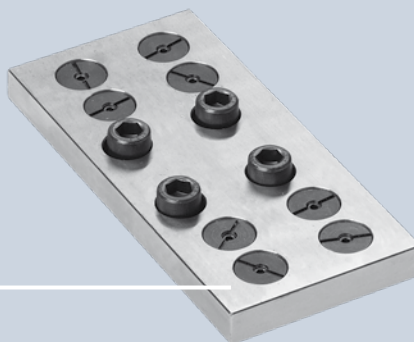
pag. 9.1. 10



## Vise **POWER XL - XXL**

pag. 9.1. 18

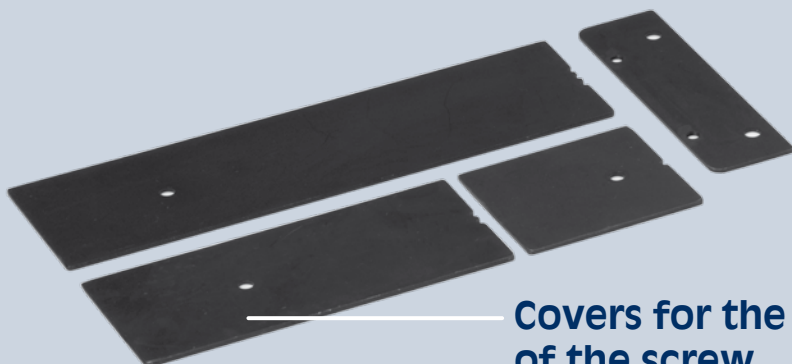
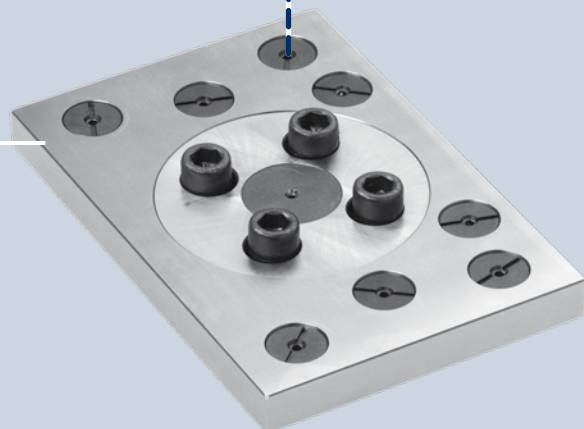
**Movable jaw "grip"**



**Gripper**



**Floating jaw "grip"**



**Covers for the protection of the screw**



**Mechanical clamping force multiplier**

**Movable square block jaw**

## VISE POWER

1. Max. opening capacity and compact in total length. Particularly suitable for machining centers.

2. Mechanical clamping force multiplier (knuckle-joint device) with the possibility of clamping force selection (1 ton; 2 tons; 3 tons; 4 tons).

3. Rigid material-Ductile iron GGG 60 with 60 kg/mm<sup>2</sup> or 80.000 psi tensile strength.

4. Vise bed flame hardened to HRC 45 in order to maintain accuracy for long.

5. Stationary jaw and Movable jaw are hardened HRC 52~55 with grinding.

6. Expanding chip cover on each vise for preventing chips falling into the lead-screw and inside of the vise.



## VARI CLAMP

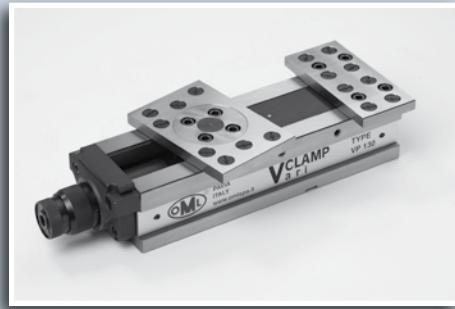
All the features of the vise V-Power are further increased in the version Vari-Clamp.

1. Super-low design both of stationary jaw and movable jaw is suitable for clamping thinner workpieces to increase heavy duty cutting capacity and precision of processing.

2. Movable jaw is designed by balance mechanism, and there are many kinds of gripper onto the jaw in order to suit the requirement for various workpieces and difficult clamping shapes.

3. Balance jaw is designed by balance mechanism, its function is able to clamp easily slanting or not smooth surface for rough material, casting material and slanting rough surface after processed by sawing machine.

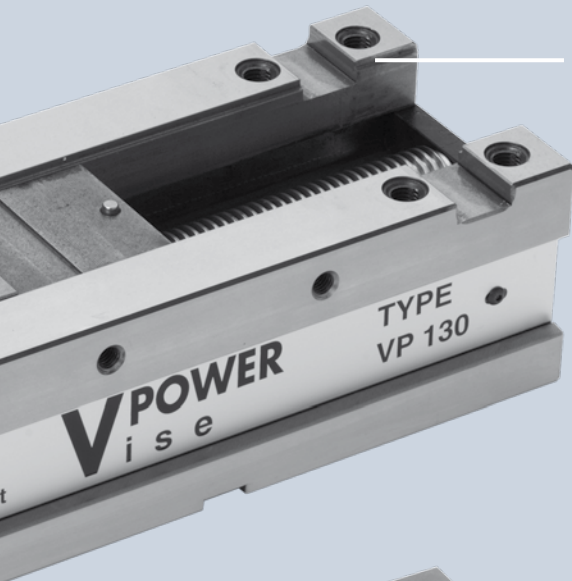
4. Vari-Clamp allows clamping of irregular, round, elliptic, rectangular, irregular-curviform, step workpieces and slanting workpieces of difficult clamping using the balance mechanism of movable jaws and the different shapes of gripper to perform well-done the clamping.



Gripper

Fixed jaw "grip"

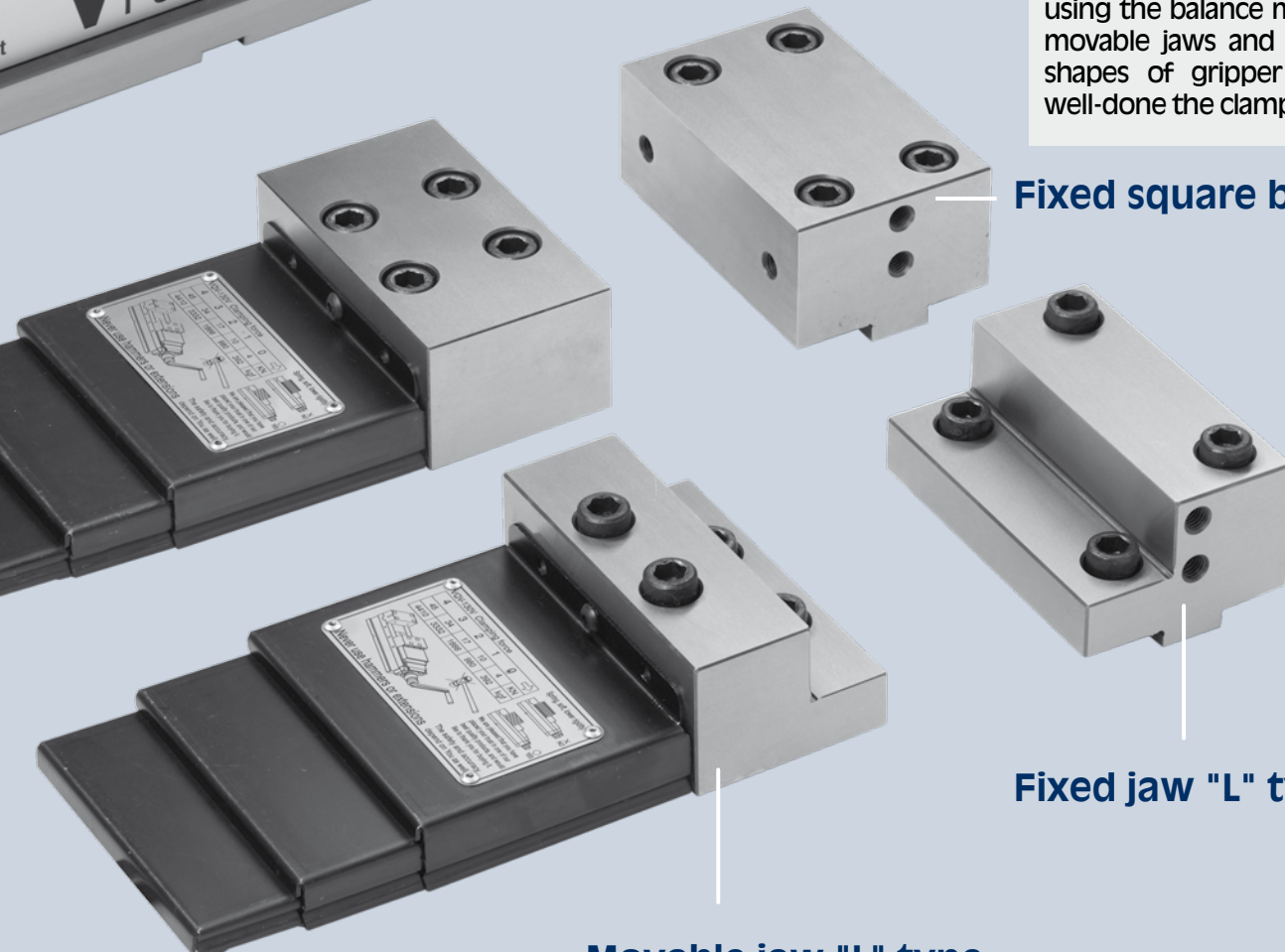
Body



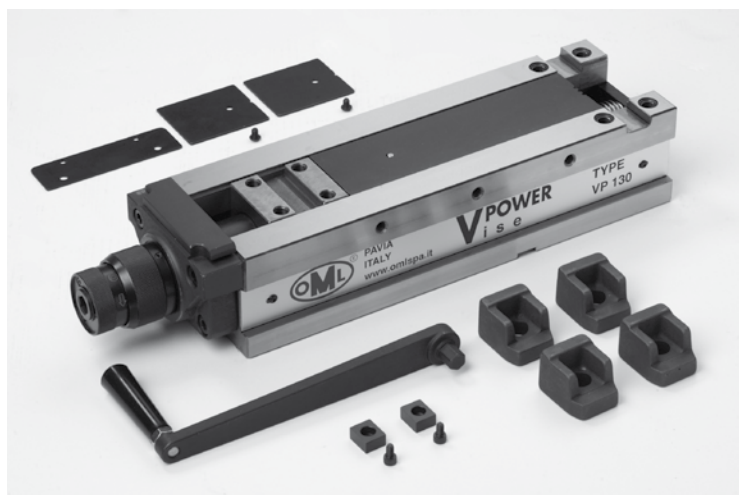
Fixed square block jaw

Fixed jaw "L" type

Movable jaw "L" type



# Vise POWER Clamping vise with mechanical/mechanical clamping force multiplier



## Set base Vise Power

Set base Vise Power complete with:

- wrench
- cover for the protection of the screw
- 2 positioning keys with screw
- 4 clamps

Code	for type
77 58 90 00	VP 100-VCP 100
77 58 91 00	VP 130-VCP 130
77 58 92 00	VP 160-VCP 160

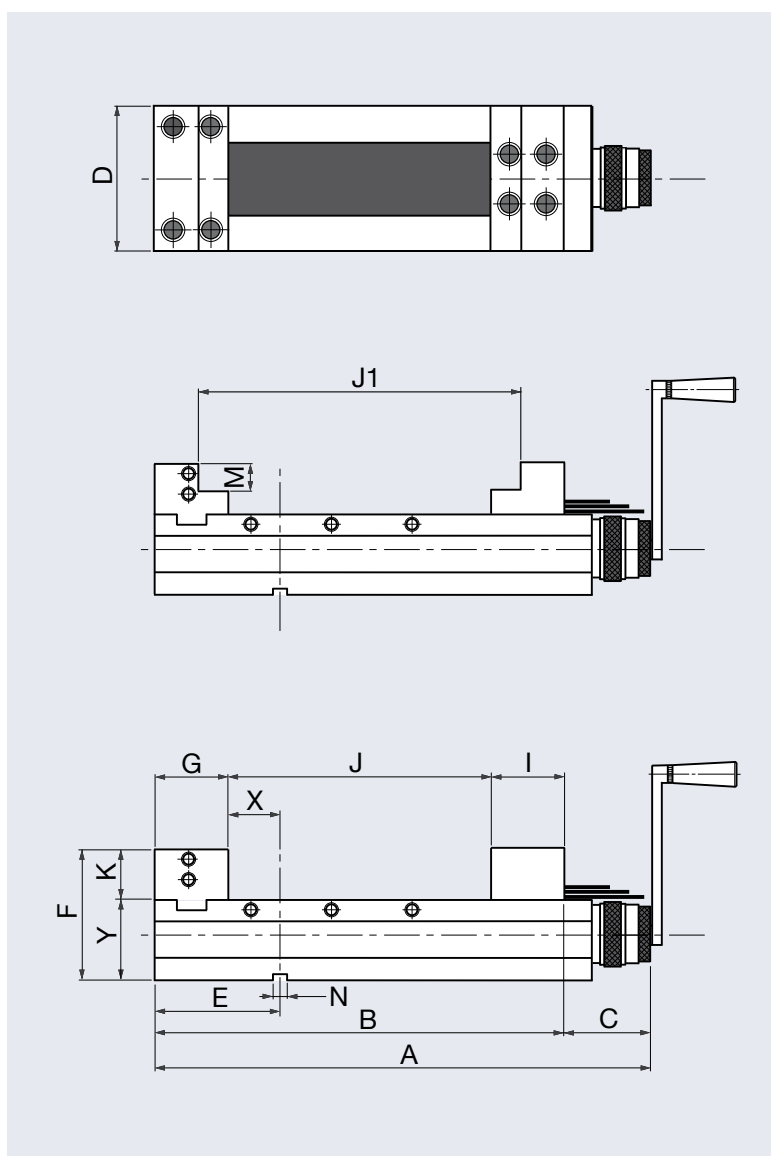
## "L" jaw kit

Code	for type
58 90 71 10	VP 100
58 91 71 10	VP 130
58 92 71 10	VP 160

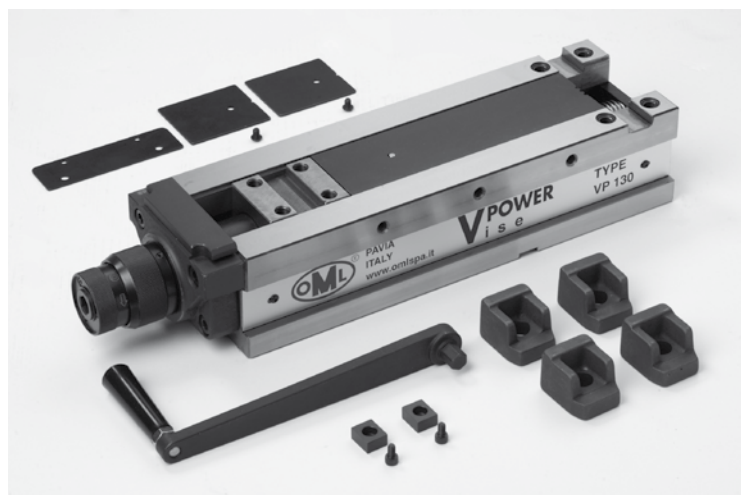


## Square block jaw kit

Code	for type
58 90 72 10	VP 100
58 91 72 10	VP 130
58 92 72 10	VP 160



type	A mm	B mm	C mm	D mm	E mm	F mm	G mm	J mm	J1 mm	I mm	K mm	M mm	N mm	X mm	Y mm	max clamping force KN (kgf)	weight kg
VP 100	406	300		101	124	130	78	155	213	64	45	25		45	85	41 (4.018)	22
VP 130	516	410	106	131	149	147	83	250	315	74	52	30	18	65	95	45 (4.410)	40
VP 160	581	475		161	152	160	86	300	370	86	55	30		65	105	54 (5.296)	62



## Set base Vise Power

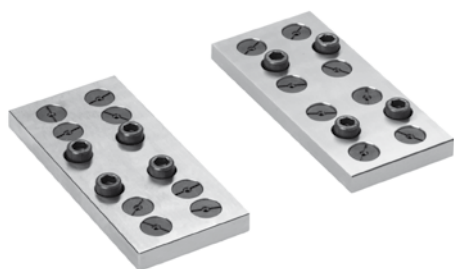
Set base Vise Power complete with:

- wrench
- cover for the protection of the screw
- 2 positioning keys with screw
- 4 clamps

Code	for type
77 58 90 00	VP 100-VCP 100
77 58 91 00	VP 130-VCP 130
77 58 92 00	VP 160-VCP 160

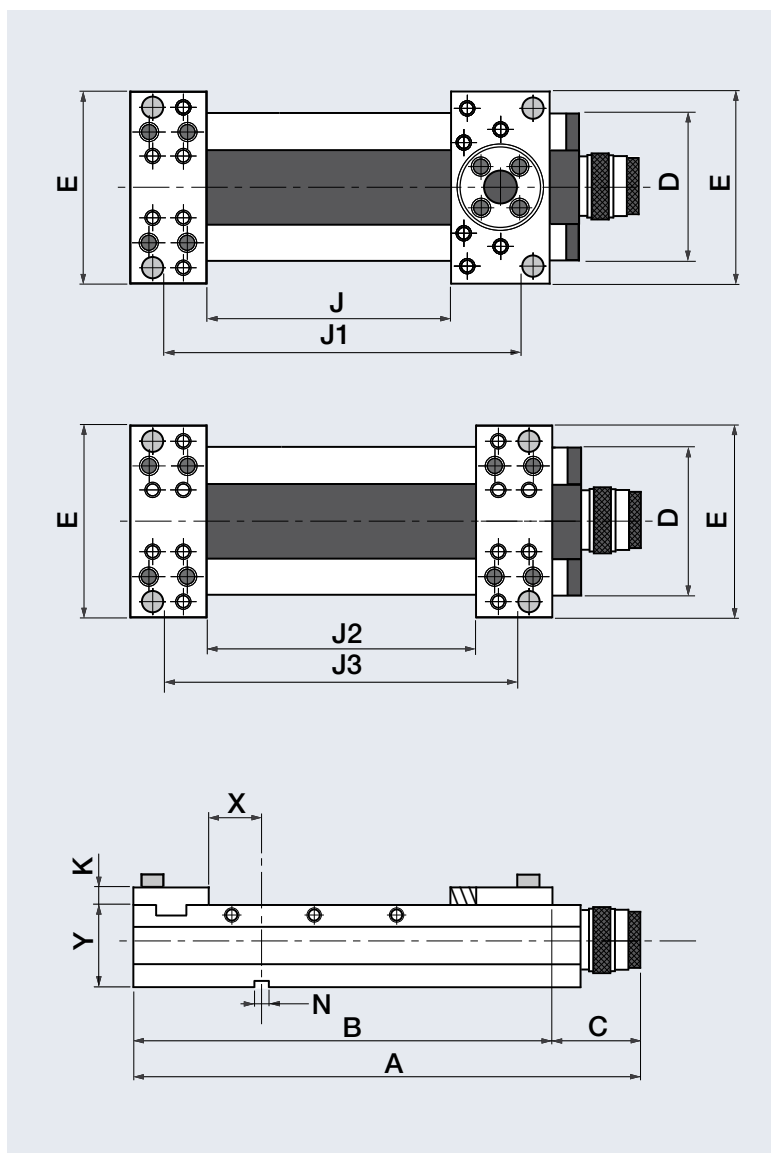
## Gripper jaw kit

Code	for type
58 90 73 10	VCP 100
58 91 73 10	VCP 130
58 92 73 10	VCP 160



## Floating gripper jaw kit

Code	for type
58 90 73 20	VCP 100
58 91 73 20	VCP 130
58 92 73 20	VCP 160

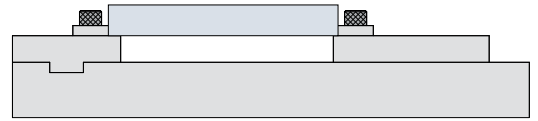


type	A mm	B mm	C mm	D mm	E mm	J mm	J1 mm	J2 mm	J3 mm	K mm	N mm	X mm	Y mm	max clamping force KN (kgf)	weight kg
VCP 100	406	300		101	160	100	220	150	220	17		51	85	41 (4.018)	18,5
VCP 130	516	410	106	131	190	180	320	210	320	17	18	60	95	45 (4.410)	33,5
VCP 160	581	475		161	220	220	380	280	380	22		64	105	54 (5.296)	51,5

### Set of 4 grippers h11 smooth



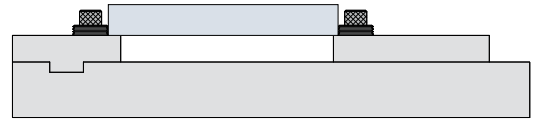
Code **58 90 61 14** for type **VCP 100 - VCP 130 -VCP 160**



### Set of 4 grippers h11 serrated



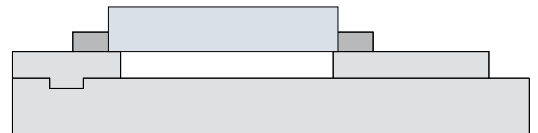
Code **58 90 61 24** for type **VCP 100 - VCP 130 -VCP 160**



### Set of 4 grippers h19 smooth



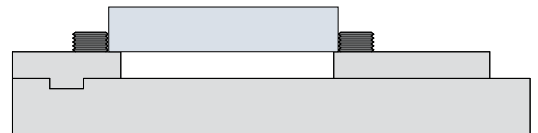
Code **58 90 62 14** for type **VCP 100 - VCP 130 -VCP 160**



### Set of 4 grippers h19 serrated



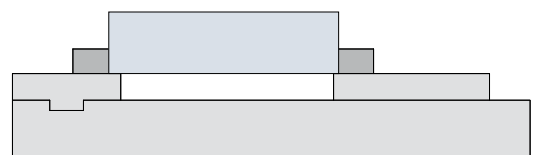
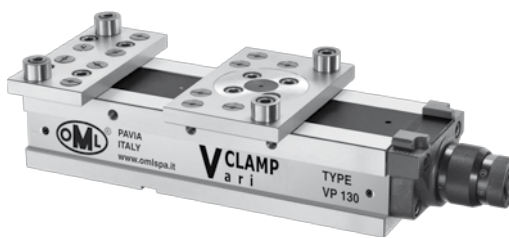
Code **58 90 62 24** for type **VCP 100 - VCP 130 -VCP 160**



### Set of 4 grippers h24 smooth



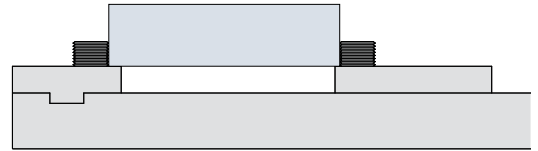
Code **58 90 63 14** for type **VCP 100 - VCP 130 -VCP 160**



## Set of 4 grippers h24 serrated



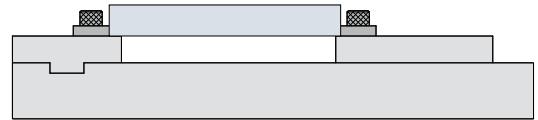
Code **58 90 63 24** for type **VCP 100 - VCP 130 -VCP 160**



## Set of 4 grippers h11 smooth-serrated



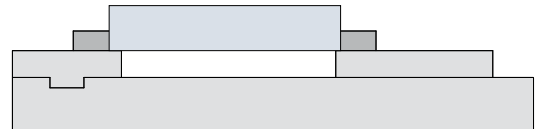
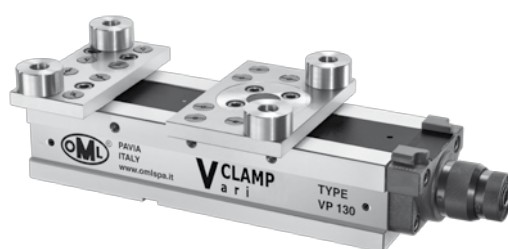
Code **58 90 64 14** for type **VCP 100 - VCP 130 -VCP 160**



## Set of 4 soft grippers h25 smooth



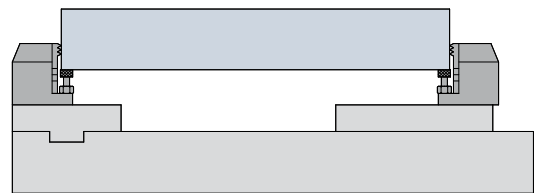
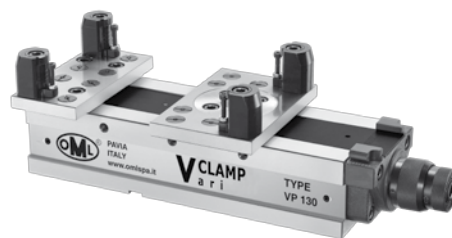
Code **58 90 65 14** for type **VCP 100 - VCP 130 -VCP 160**



## Set of 4 grippers h50 serrated with adjustable screw



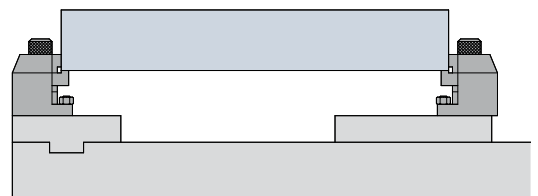
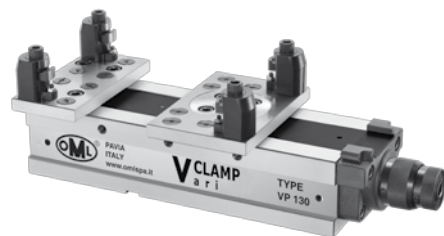
Code **58 90 67 24** for type **VCP 100 - VCP 130 -VCP 160**



## Set of 4 grippers h50 smooth with step



Code **58 90 68 14** for type **VCP 100 - VCP 130 -VCP 160**



### Set of 4 grippers h50 serrated with step

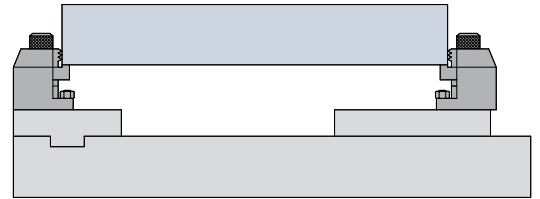
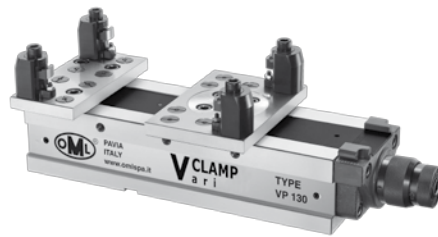


Code

58 90 68 24

for type

VCP 100 - VCP 130 -VCP 160



### Set of 4 grippers h25 smooth with adjustable screw

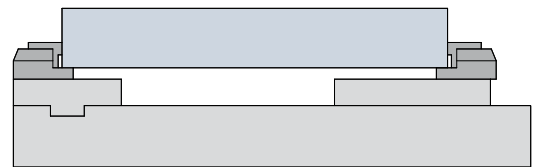


Code

58 90 66 14

for type

VCP 100 - VCP 130 -VCP 160



### Set of 4 grippers h25 serrated with adjustable screw

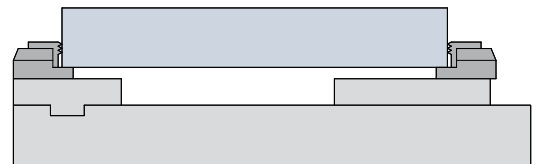


Code

58 90 66 24

for type

VCP 100 - VCP 130 -VCP 160



### Set of 4 grippers h50 smooth with adjustable screw

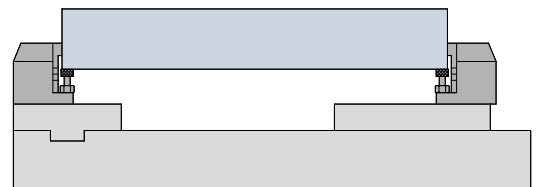
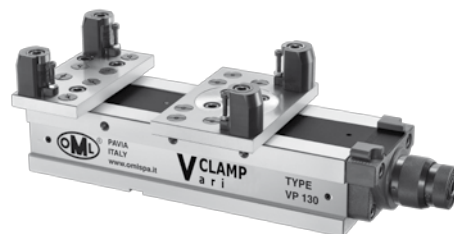


Code

58 90 67 14

for type

VCP 100 - VCP 130 -VCP 160

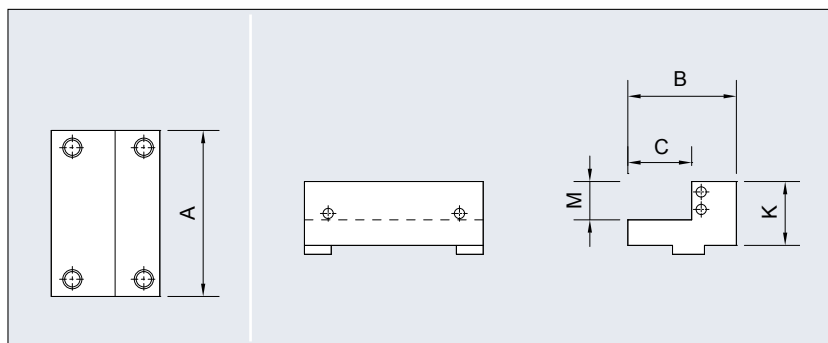




## Kit of 14 sets of 4 grippers

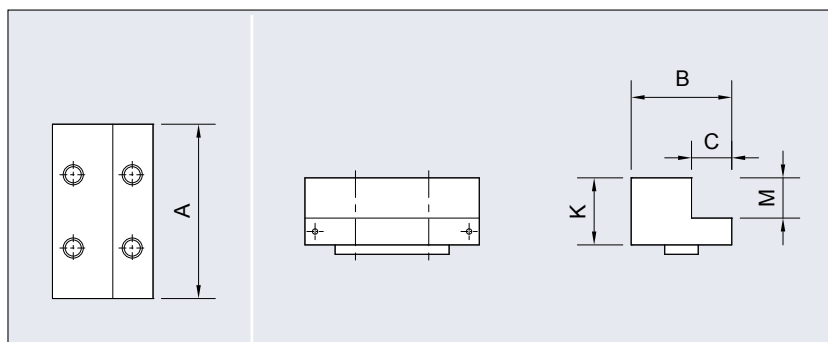
Code	58 90 60 09	for type	VCP 100 - VCP 130 -VCP 160	
				
				
				

### Fixed jaw "L" type



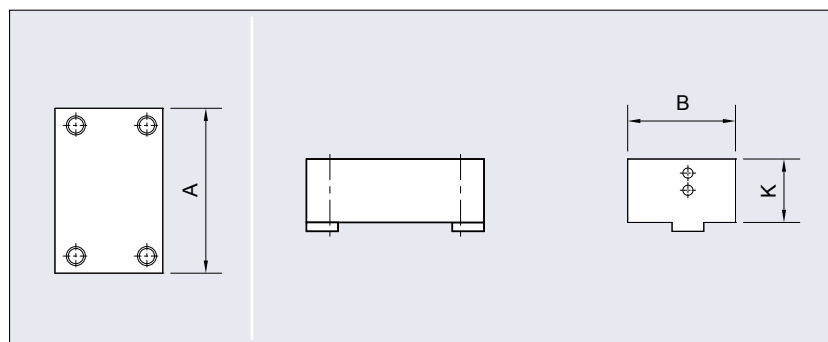
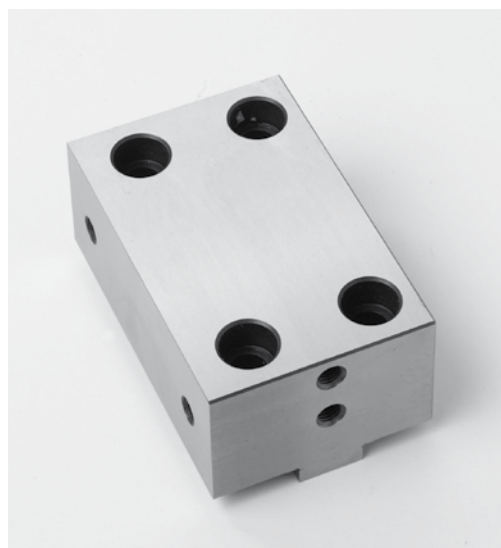
Codice-Nr.	modello	A mm	B mm	C mm	K mm	M mm	weight kg
58 90 02 10	VP 100	100	78	32,5	45	25	2
58 91 02 10	VP 130	130	83	35	52	30	3
58 92 02 10	VP 160	160	86	35	95	30	4,2

### Moveable jaw "L" type (with expanding chip cover)



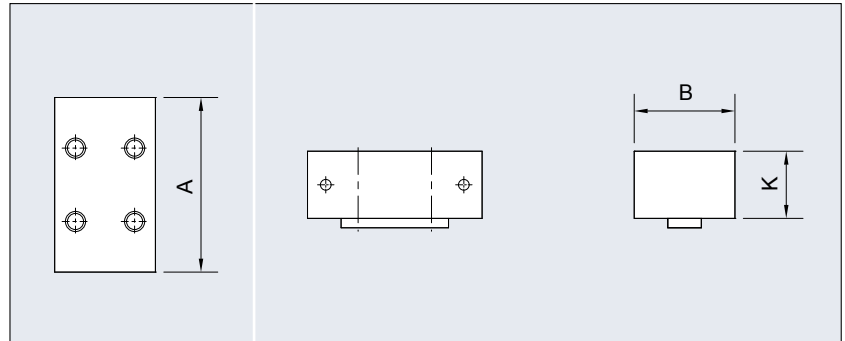
Code	modello	A mm	B mm	C mm	K mm	M mm	weight kg
58 90 03 10	VP 100	100	64	26	45	25	1,5
58 91 03 10	VP 130	130	74	30	52	30	2,8
58 92 03 10	VP 160	160	86	35	55	30	4,2

### Fixed square block jaw



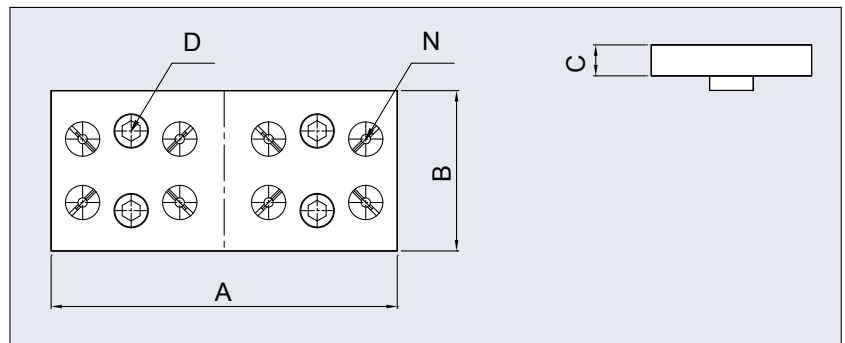
Code	modello	A mm	B mm	K mm	weight kg
58 90 02 20	VCP 100	100	78	45	3
58 91 02 20	VCP 130	130	83	52	4
58 92 02 20	VCP 160	160	86	55	6

## Moveable square block jaw (with expanding chip cover)



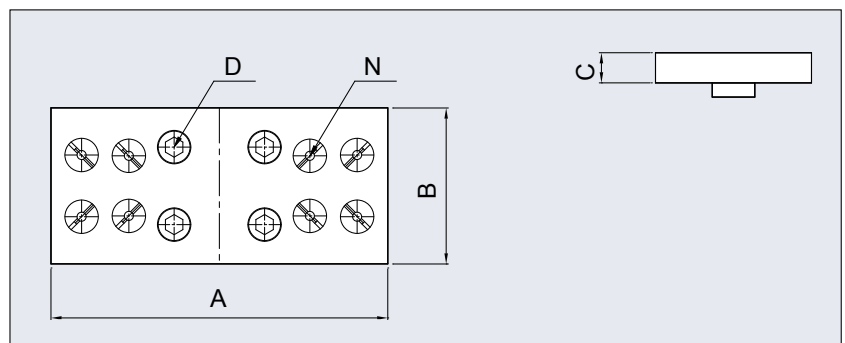
Code	type	A	B mm	K mm	weight kg
58 90 03 20	VP 100	100	64	45	2,5
58 91 03 20	VP 130	130	74	52	4,5
58 92 03 20	VP 160	160	86	55	6

## Fixed square block jaw gripper



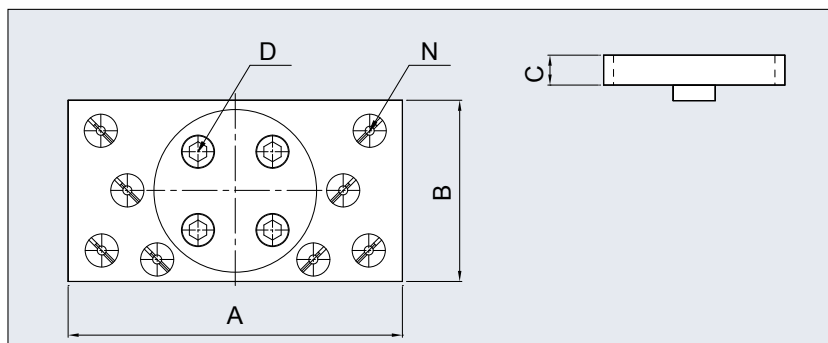
Code	type	A mm	B mm	C mm	D mm	N	weight kg
58 90 02 30	VCP 100	160	73	17	M10x20L	6	1,3
58 91 02 30		190	88	17	M12x20L	8	2,2
58 92 02 30	VCP 160	220	88	22	M14x25L	8	3,0

## Moveable jaw gripper



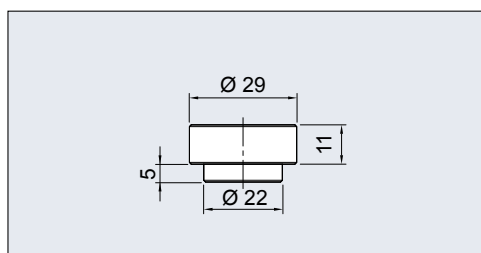
Code	type	A mm	B mm	C mm	D mm	N	weight kg
58 90 03 30	VCP 100	160	64	17	M10x20L	6	1,4
58 91 03 30	VCP 130	190	88	17	M12x20L	8	2,2
58 92 03 30	VCP 160	220	88	22	M14x25L	8	3,3

### Floating jaw gripper

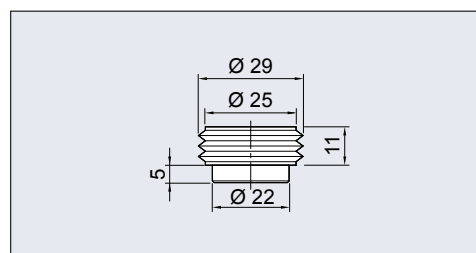


Code	type	A mm	B mm	C mm	D mm	N	weight kg
58 90 03 40	VCP 100	160	88	22	M10x25L	6	2,2
58 91 03 40	VCP 130	190	103	22	M12x30L	8	3,2
58 92 03 40	VCP 160	220	128	22	M14x30L	8	5,7

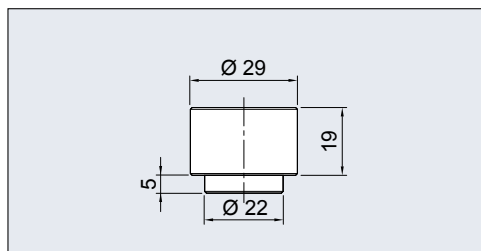
### Gripper h11 smooth



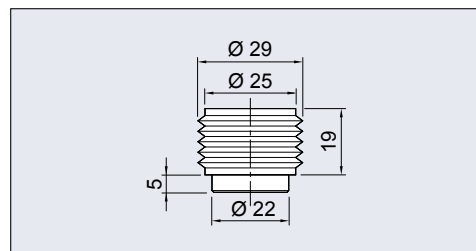
### Gripper h11 serrated



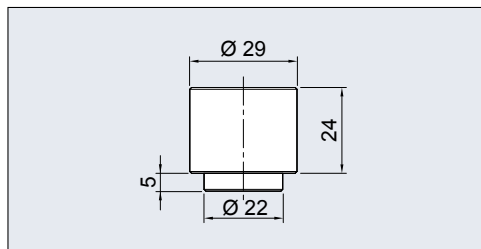
### Gripper h19 smooth



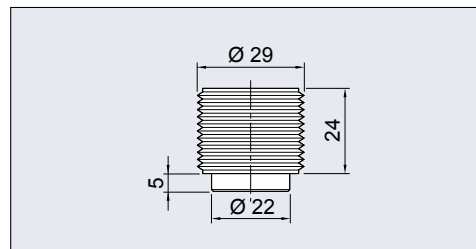
### Gripper h19 serrated



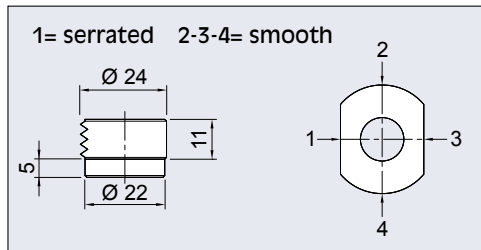
### Gripper h24 smooth



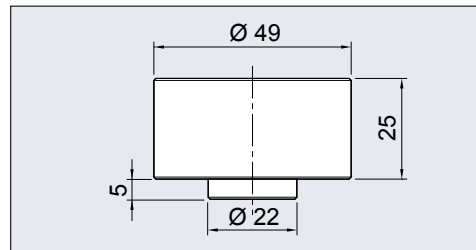
### Gripper h24 serrated



### Gripper h11 smooth-serrated



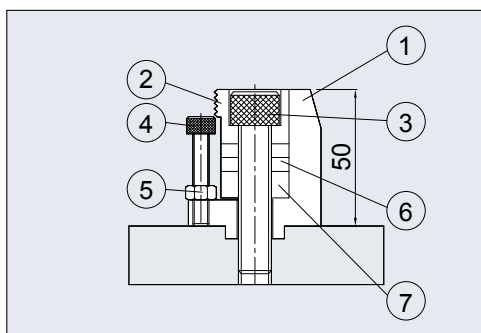
### Soft gripper h25 smooth



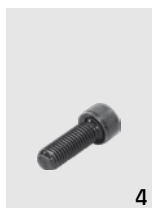
## Gripper h50 serrated with adjustable screw

Code

58 90 67 20



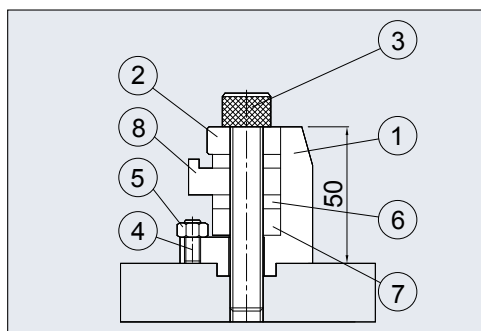
Pos.	Code	Description
1	58 90 51 20	Body
2	58 90 52 20	Serrated gripper
3	71 11 31 09	Screw TCEI M12x60 12.9
4	71 11 30 47	Screw TCEI M6x30 12.9
5	71 15 02 06	Nut M6
6	58 90 54 10	Washer (5 mm)
7	58 90 54 20	Washer (10 mm)



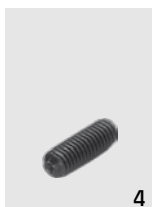
## Gripper h50 smooth with step

Code

58 90 68 10



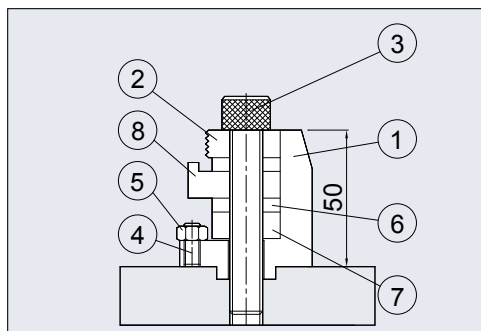
Pos.	Code	Description
1	58 90 51 20	Body
2	58 90 53 10	Smooth gripper
3	71 11 31 10	Screw TCEI M12x70 12.9
4	71 11 21 24	Grub screw M6x16
5	71 15 02 06	Nut M6
6	58 90 54 10	Washer (5 mm)
7	58 90 54 20	Washer (10 mm)
8	58 90 55 10	Step washer



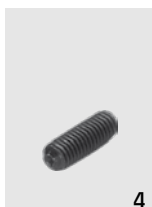
## Gripper h50 serrated with step

Code

58 90 68 20

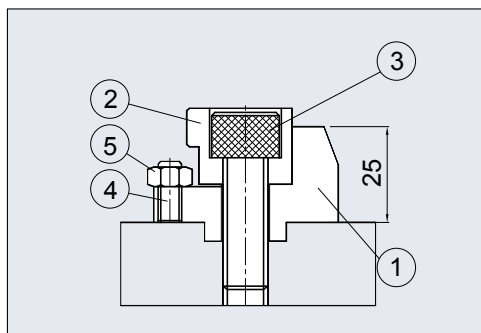


Pos.	Code	Description
1	58 90 51 20	Body
2	58 90 53 20	Serrated gripper
3	71 11 31 10	Screw TCEI M12x70 12.9
4	71 11 21 24	Grub screw M6x16
5	71 15 02 06	Nut M6
6	58 90 54 10	Washer (5 mm)
7	58 90 54 20	Washer (10 mm)
8	58 90 55 10	Step washer

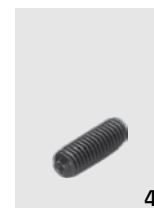


### Gripper h25 smooth with adjustable screw

**Code**  
58 90 66 10

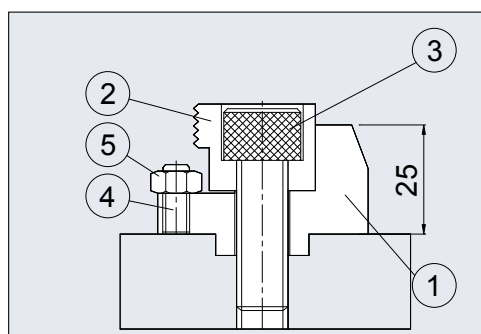


Pos.	Code	Description
1	58 90 51 10	Body
2	58 90 52 10	Smooth gripper
3	71 11 31 05	Screw TCEI M12x3512.9
4	71 11 21 24	Grub screw M6x16
5	71 15 02 06	Nut M6

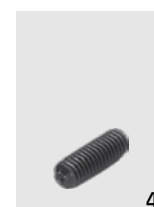


### Gripper h25 serrated with adjustable screw

**Code**  
58 90 66 20

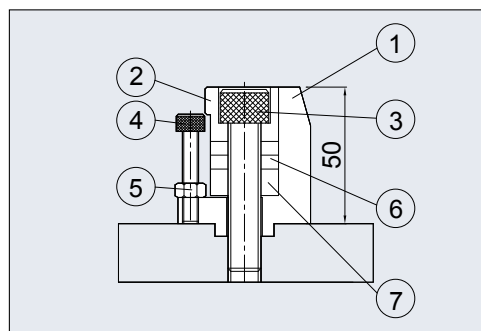


Pos.	Code	Description
	58 90 51 10	Body
	58 90 52 20	Serrated gripper
	71 11 31 05	Screw TCEI M12x35 12.9
	71 11 21 24	Grub screw M6x16
	71 15 02 06	Nut M6



### Gripper h50 smooth with adjustable screw

**Code**  
58 90 67 10



Pos.	Code	Description
	58 90 51 20	Body
	58 90 52 10	Smooth gripper
	71 11 31 09	Screw TCEI M12x60 12.9
	71 11 30 47	Screw TCEI M6x16
	71 15 02 06	Nut M6
	58 90 54 10	Washer (5 mm)
	58 90 54 20	Washer (10 mm)





## Angle drive

Code	for type
58 91 86 10	VCP 130 - VP 130
58 92 86 10	VCP 160 - VP 160



## Pair of positioning keys

Code	mm	Code	mm
58 90 13 92	18 x 12	58 90 13 95	18 x 18
58 90 13 93	18 x 14	58 90 13 96	18 x 20
58 90 13 94	18 x 16	58 90 13 97	18 x 22



## Kit of 4 clamps

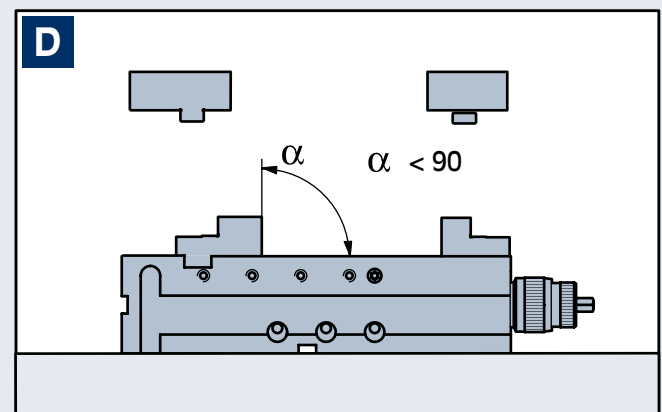
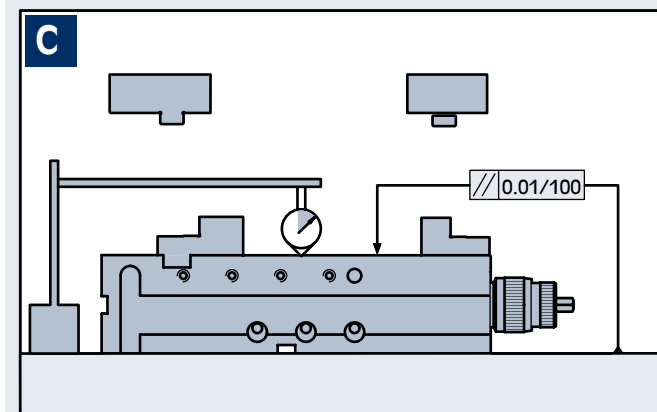
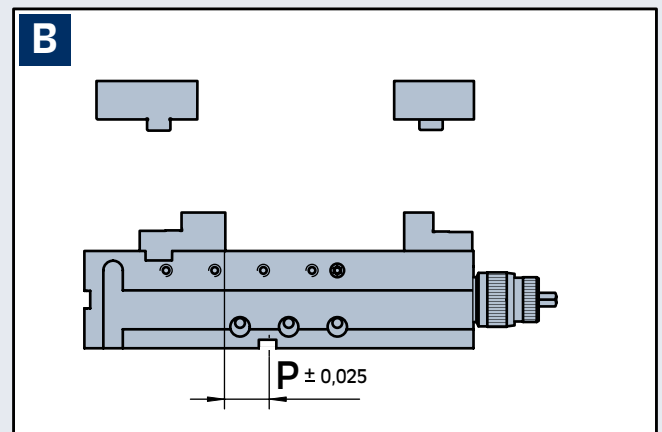
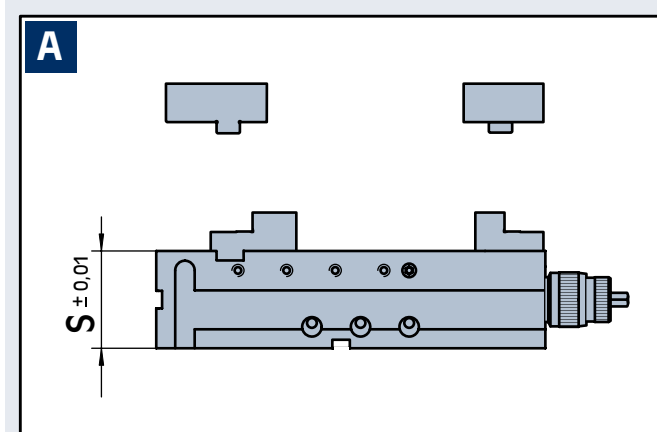
Code	for type
58 90 27 09	VCP 100 - VP 100
	VCP 130 - VP 130
	VCP 160 - VP 160

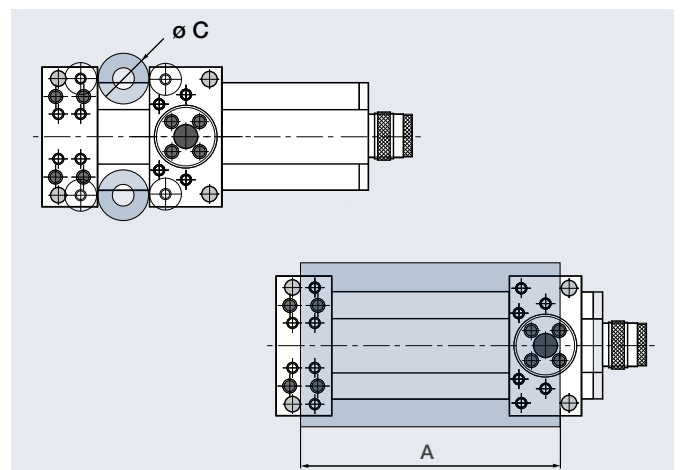
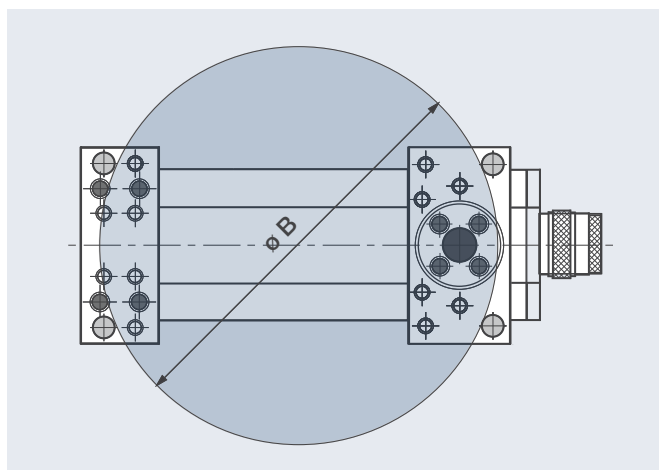
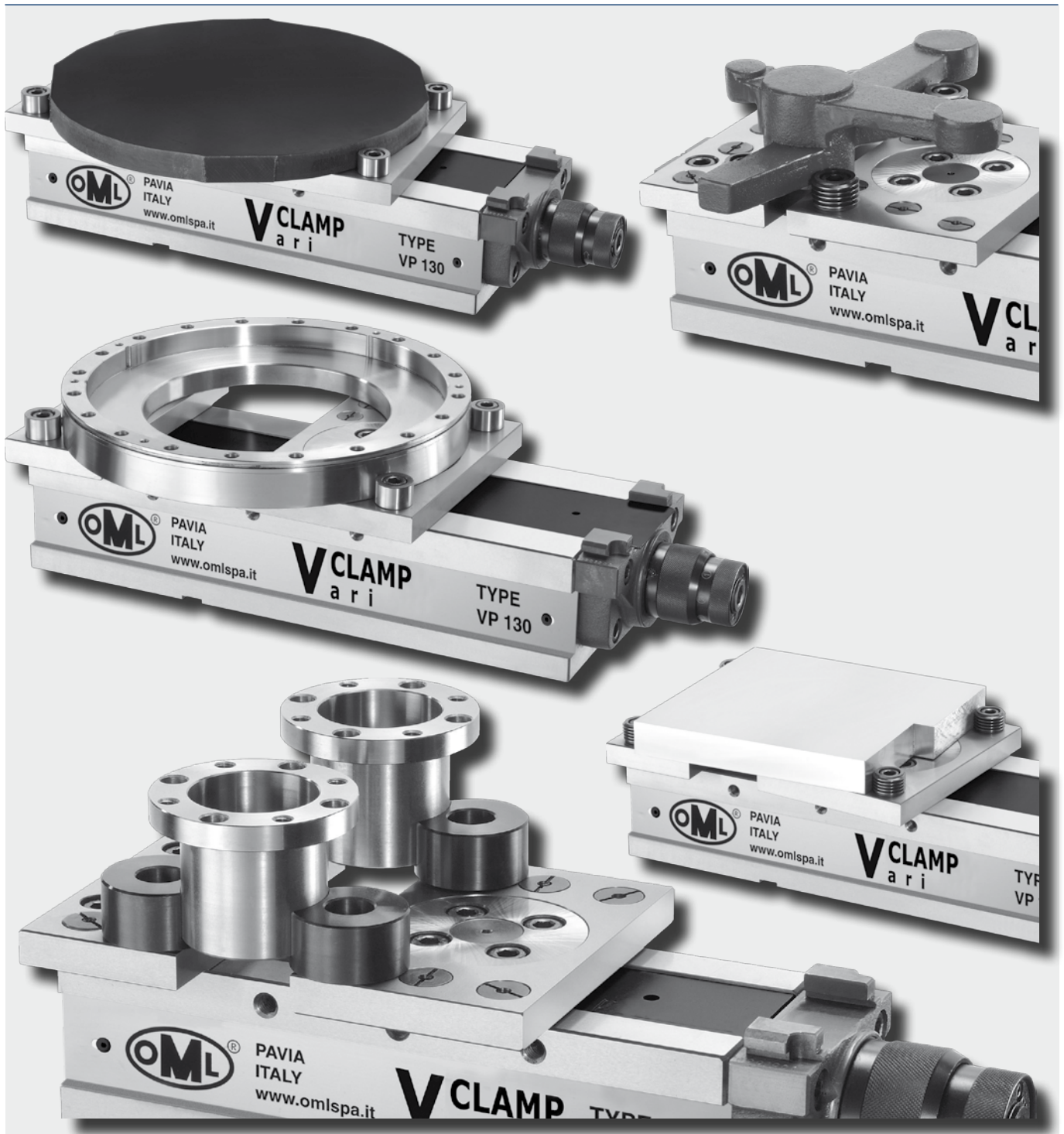


## Wrench

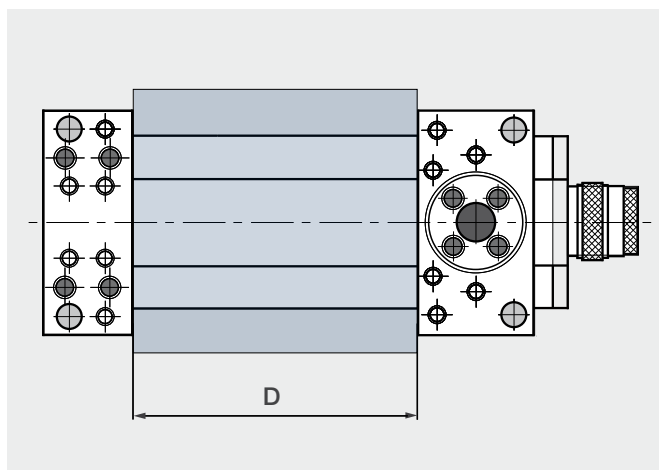
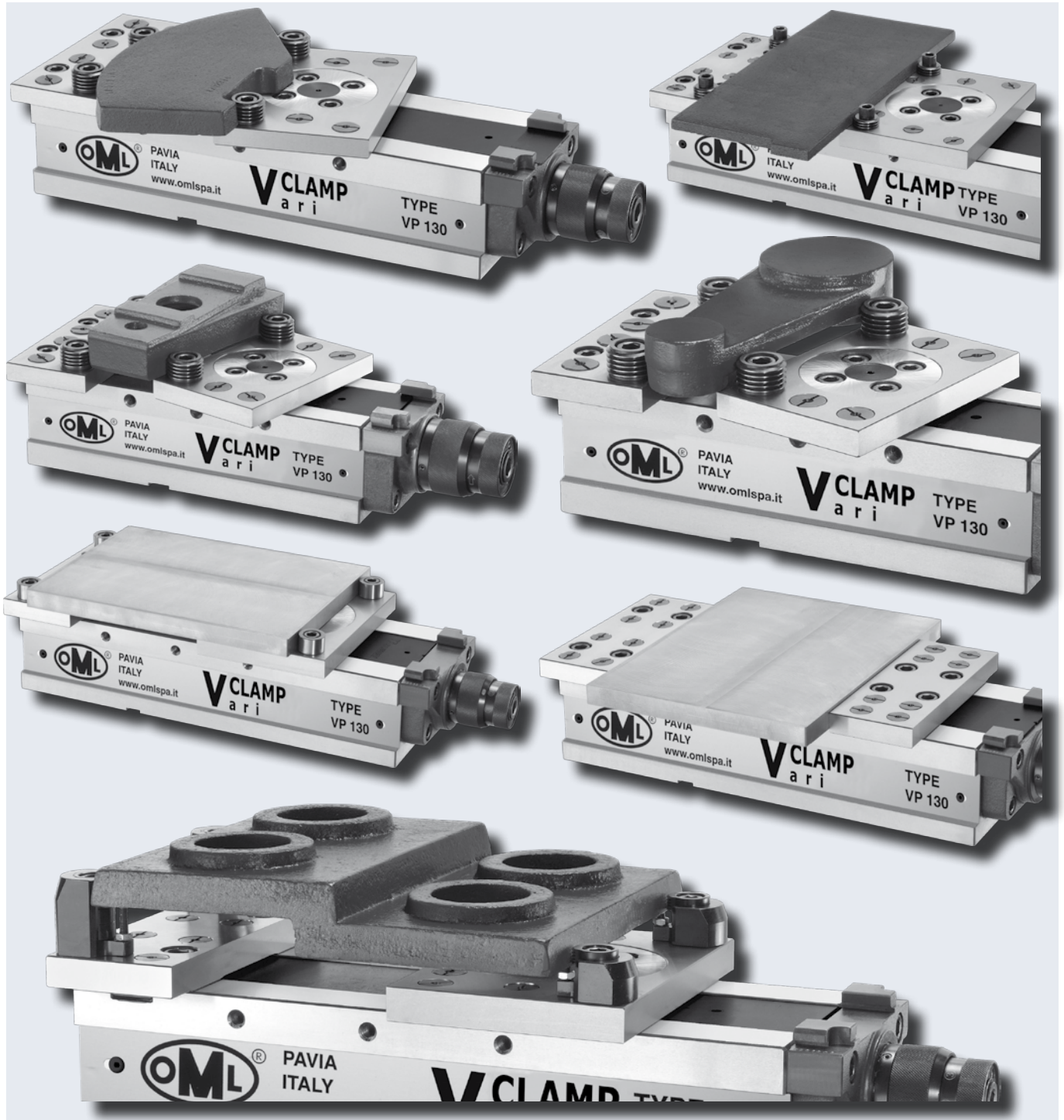
Code	for type
58 90 19 00	VCP 100 - VP 100
	VCP 130 - VP 130
	VCP 160 - VP 160

## Manufacturing tolerances







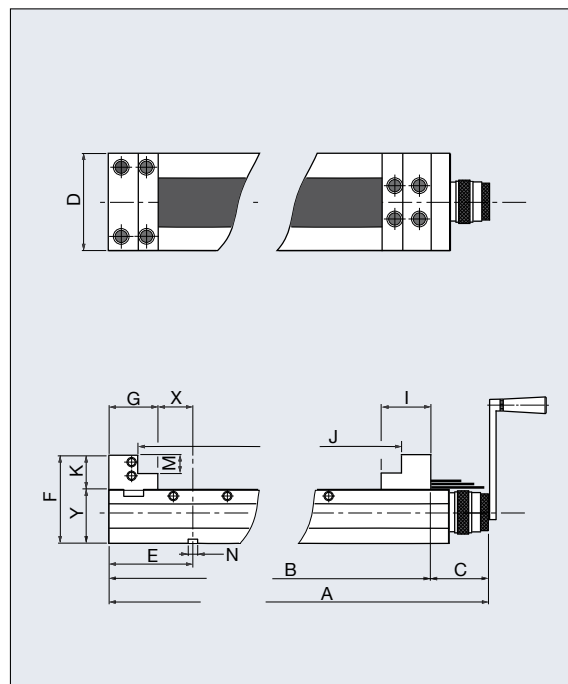
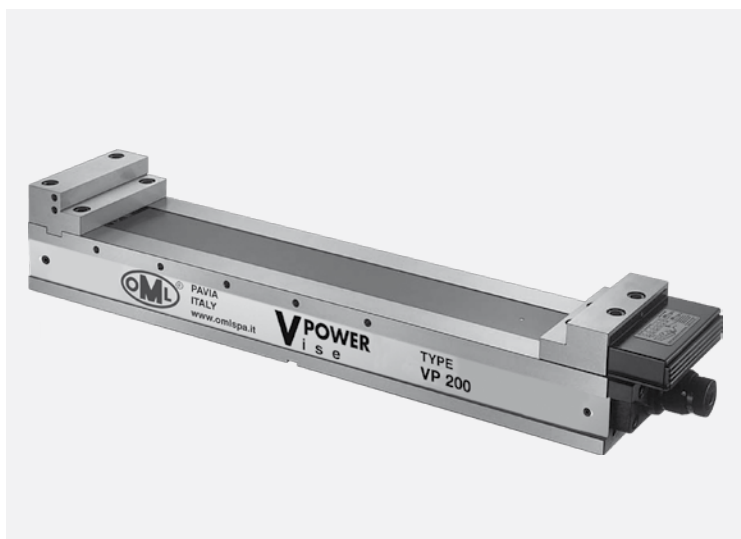


type	A	∅ B	∅ C	D
VCP 100	0-220	80-250		0-150
VCP 130	0-320	90-350	0-90	0-210
VCP 160	0-380	90-420	0-90	0-280

# Vise POWER .XL Clamping vise with mechanical/mechanical clamping force multiplier

## Vise Power XL

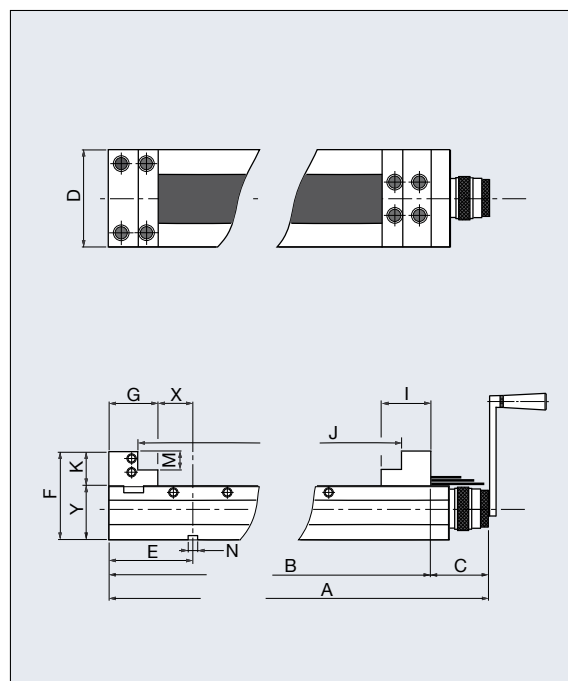
Clamping equipment complete with "L" fixed and movable jaws, wrench, carter for the protection of the screw, 2 positioning keys with screw, 4 clamps.



Code	type	A mm	B mm	C mm	D mm	E mm	F mm	G mm	J mm	I mm	K mm	M mm	N mm	X mm	Y mm	weight kg
77 58 93 11	VP 200 XL	1.086	980	106	201	490	170	100	856	97	60	30	18	388	110	127

## Vise Power XXL

Clamping equipment complete with "L" fixed and movable jaws, wrench, carter for the protection of the screw, 2 positioning keys with screw, 4 clamps.



Code	type	A mm	B mm	C mm	D mm	E mm	F mm	G mm	J mm	I mm	K mm	M mm	N mm	X mm	Y mm	weight kg
77 58 93 16	VP 200 XXL	1.406	1.300	106	201	650	170	102	1.176	97	60	30	18	548	110	159